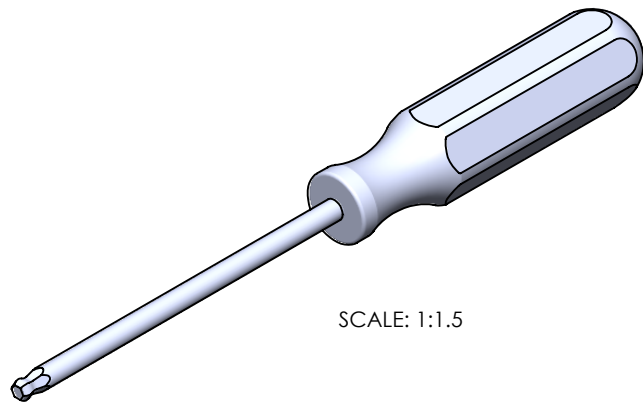


DETAIL A  
SCALE 8 : 1



SCALE: 1:1.5

|   |      |      |  |  |  |
|---|------|------|--|--|--|
| UNLESS OTHERWISE SPECIFIED:<br>DIMENSIONS ARE IN INCHES   |      |      | TOLERANCES:<br>X.XX= ±0.13<br>X.XXX= ±0.015<br>X.XXXX= -0.0015 |  |  |
| DRAWN   | NAME | SIGN | DATE   |  |  |
| APP'VD  | A.T. |      | 04.24.19   |  |  |
| MATERIAL:<br>SHAFT: 465 MAGNETIC S.S.<br>HANDLE: 316 NON-MAGNETIC S.S.  |      |      |  |  | TITLE:<br>5/32" BALL DRIVER with<br>STAINLESS STEEL HANDLE |
| <i>THIS DRAWING IS THE PROPERTY OF STERITOOL, INC. ANY REPRODUCTIONS OR MODIFICATIONS OF THIS DRAWING OR ITS CONTENTS WITHOUT THE CONSENT OF STERITOOL, INC. IS PROHIBITED.</i> |      |      |  |  | PART NO.<br>21876  |
|   |      |      |  |  | SCALE: 1:1   |